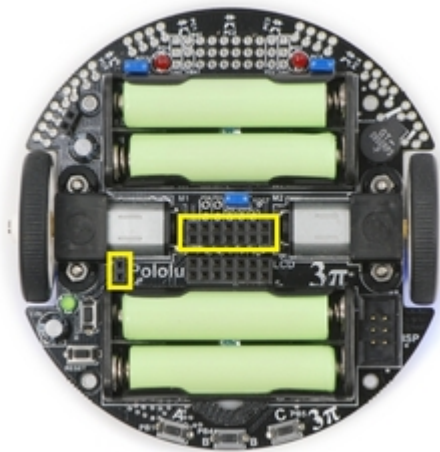


3pi Expansion Kit without Cutouts

Assembly Instructions

The supplied header pins allow you to establish all of the necessary electrical connections between the expansion PCB and the 3pi base. We recommend that you fully assemble the 3pi and its expansion kit **before you solder anything**. This will ensure that once everything is soldered in, the expansion platform will align properly with the base. We suggest that you assemble your expansion kit in the following order:

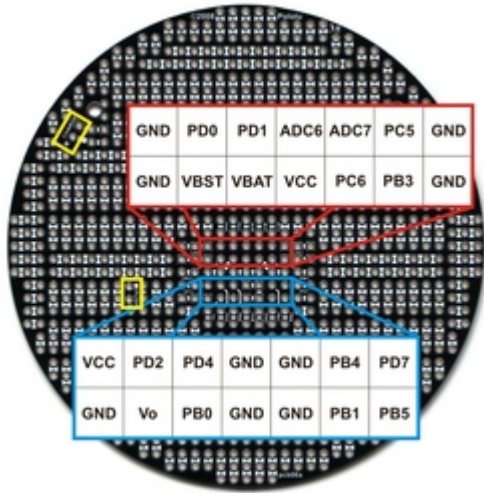
1) Place the 2x7 female header and one of the 2x1 female headers into the proper holes in the 3pi base as shown below (see the yellow rectangles).



**Pololu 3pi robot with expansion kit
female headers marked by yellow
rectangles.**

2) Insert the long ends of one 2x7 and one 2x1 extended male header into these female headers, and insert an extended 2x1 male header into the battery charge port. Lastly, remove the LCD and insert an extended 2x7 male header into the LCD port. Place the expansion PCB so the tops of these male

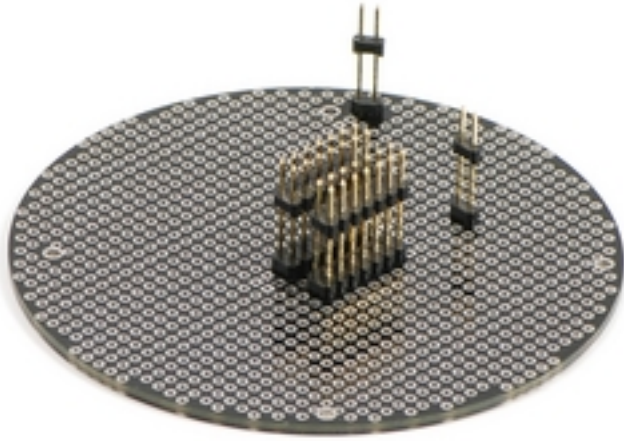
headers seat in the proper places, as marked by the rectangles in the picture below. Note that the expansion PCB mounts with the silkscreen facing up.



**Solder connections for male headers
on the 3pi expansion kit without
cutouts.**

3) Slip a nylon spacer between the base and the expansion PCB so that it lines up with the mounting hole on the base. Insert a screw from the underside of the base up through the base's mounting hole, the spacer, and the mounting hole on the expansion board. Holding the head of the screw against the base, twist the nut onto the other side, but don't tighten it all the way. Repeat this process for the three remaining screws, and then tighten them together so that the expansion PCB is aligned well with the base.

4) With the screws holding everything in place, you can now solder the female headers to the base and the male headers to the expansion PCB. Once everything is soldered in, you can remove the screws and pull the expansion PCB off of the base; it should look like the one in the picture below.



**Bottom view of 3pi expansion kit without cutouts
(black solder mask version).**

After assembly you will have a single 2x1 female header left over. You can use this to create your own battery charge port on the expansion PCB.